

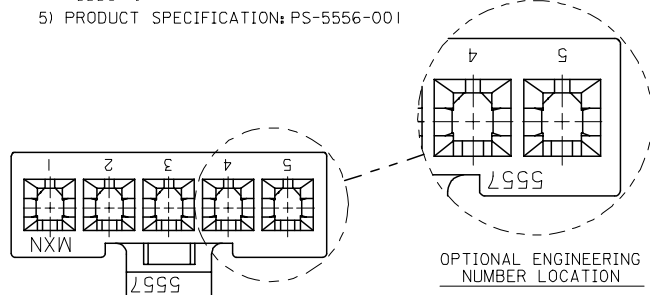
13 12 11 10 9 8 7 6 5 4 3 2 1

**NOTES:**

- 1) MATERIAL:  
 \*BLANK\*: NYLON 6/6, 94V-2, COLOR: NATURAL.  
 210 : NYLON 6/6, 94V-0, COLOR: NATURAL.  
 210-BL : NYLON 6/6, 94V-0, COLOR: BLACK.
- 2) PART MATES WITH MOLEX PLUG #5559-\*, VERTICAL HEADER #5566-\*, AND RIGHT-ANGLE HEADER #5569-\*.
- 3) PART IS DESIGNED IN METRIC.
- 4) PART IS FOR USE WITH MOLEX FEMALE TERMINAL #5556-\*.
- 5) PRODUCT SPECIFICATION: PS-5556-001

CKT SIZE	DIM A
2	.378 (9.60)
4	.709 (18.00)
5	.874 (22.20)
6	1.039 (26.40)
7	1.205 (30.60)
8	1.370 (34.80)
9	1.535 (39.00)
10	1.701 (43.20)
11	1.866 (47.40)
12	2.031 (51.60)

PART NUMBER	ENG. NUMBER	CKT. SIZE	MATERIAL (SEE NOTE 1.)
39-01-4020	5557-02R2	2	94V-2
39-01-4021	5557-02R2-210	2	94V-0
39-01-4040	5557-04R2	4	94V-2
39-01-4041	5557-04R2-210	4	94V-0
39-01-4050	5557-05R2	5	94V-2
39-01-4051	5557-05R2-210	5	94V-0
50-30-4447	5557-05R2-210-BL	5	94V-0
39-01-4060	5557-06R2	6	94V-2
39-01-4061	5557-06R2-210	6	94V-0
39-01-4070	5557-07R2	7	94V-2
39-01-4071	5557-07R2-210	7	94V-0
39-01-4080	5557-08R2	8	94V-2
39-01-4081	5557-08R2-210	8	94V-0
39-01-4090	5557-09R2	9	94V-2
39-01-4091	5557-09R2-210	9	94V-0
39-01-4100	5557-10R2	10	94V-2
39-01-4101	5557-10R2-210	10	94V-0
39-01-4110	5557-11R2	11	94V-2
39-01-4111	5557-11R2-210	11	94V-0
39-01-4120	5557-12R2	12	94V-2
39-01-4121	5557-12R2-210	12	94V-0



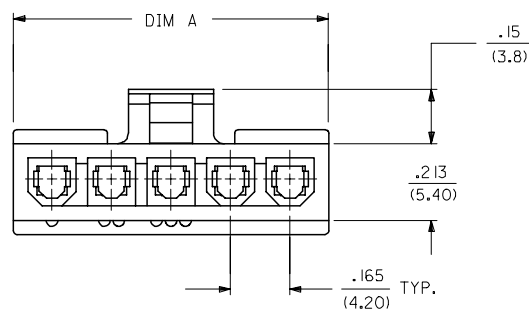
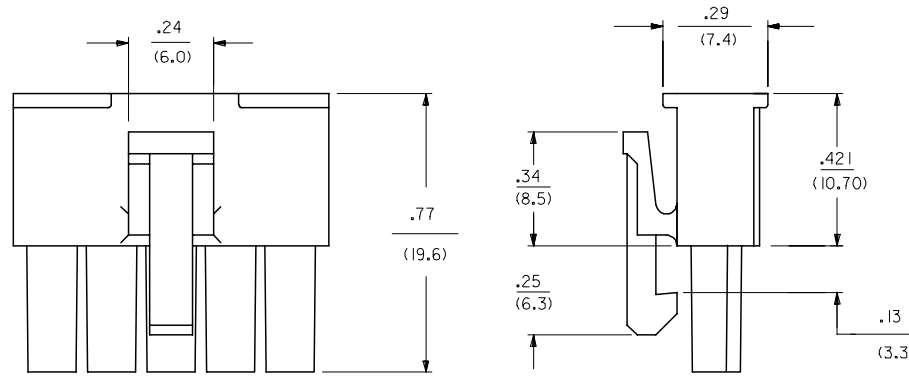
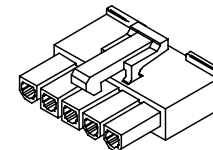
**LEGEND:**

CKT. SIZE \_\_\_\_\_ 5557-\*\*\* R2-\*\*\*-\*\*\*  
 (02, 04-12)

RECEPTACLE  
 (SINGLE ROW)

MATERIAL OPTION:  
 (SEE NOTE 1)

COLOR:  
 \*BLANK\* = NATURAL  
 \*BL\* = BLACK



ADDED 5557-05R2-210-BL EC NO: UICP2006-0276 DRAWNDUONE 2005/08/09 CHKD:GPOUGAR 2005/08/09 APPR:ICOMERC1 2005/08/11 REVISION DESCRIPTION	QUALITY SYMBOLS	GENERAL TOLERANCES (UNLESS SPECIFIED)	DIMENSION STYLE	SCALE	DESIGN UNITS	THIRD ANGLE PROJECTION
	$\nabla=0$ $\nabla=0$	mm INCH 4 PLACES ± --- ± --- 3 PLACES ± --- ± .010 2 PLACES ± .25 ± .015 1 PLACE ± .38 ± --- ANGULAR ±1/2°	IN/MM	4:1	INCH	
			DRAWN BY DATE	TITLE		
			CHECKED BY DATE			
		APPROVED BY DATE				
		MATERIAL NO.				
		DRAFT WHERE APPLICABLE MUST REMAIN WITHIN DIMENSIONS		SEE CHART	SD-5557-NR2*	SHEET NO. 1 OF 1
		THIS DRAWING CONTAINS INFORMATION THAT IS PROPRIETARY TO MOLEX INCORPORATED AND SHOULD NOT BE USED WITHOUT WRITTEN PERMISSION				

MINI-FIT JR. RECEPTACLE (SINGLE ROW)

MOLEX INCORPORATED

12 11 10 9 8 7 6 5 4 3 2 1